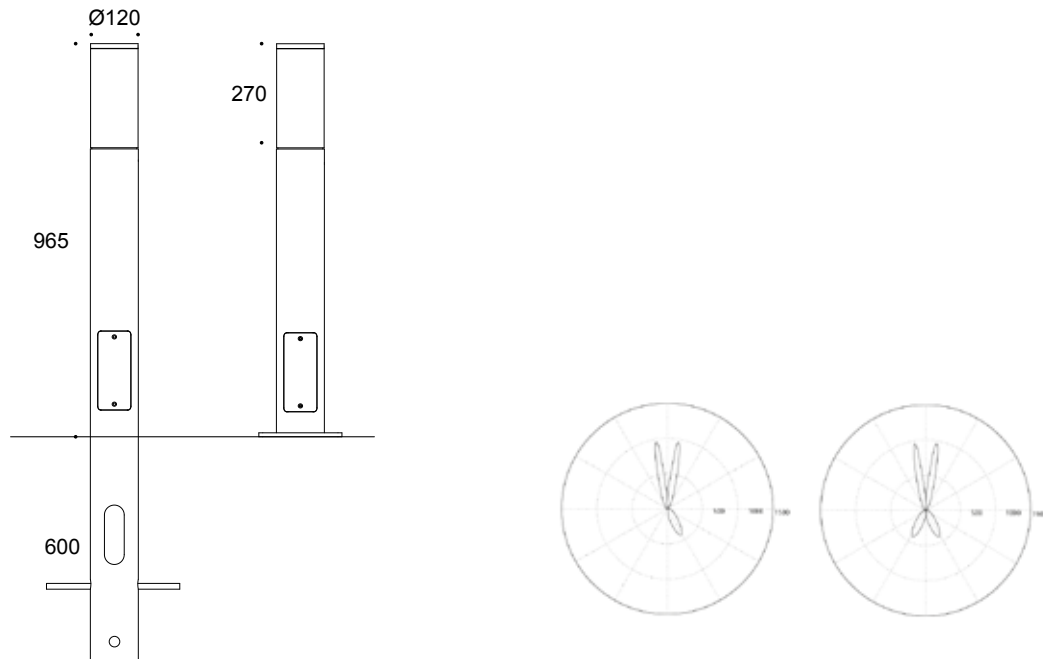


COVER L702





COVER L702 - BOLLARD

Design: Schmidt Hammer Lassen Architects

Light distribution Narrow beam for indirect symmetrical or asymmetrical distribution of light

Materials Pole in hot galvanized steel or powder coated hot galvanized steel
Powder coated top RAL9007

Optics/Reflector Clear shockproof acrylic lamp cover, UV-resistant
Polished reflector for symmetrical or asymmetrical distribution of light

Height 965 mm

Light source LED 18W/830/2112Lm. 50Khrs

Installation For casting or flange mounting. Earth spike or flange is included

Connection 2 cables max. 5x4 mm²
Connection box and fuse are included

CE

Classification IP54. IK10. Insulation safety class II

Weight 15 kg.